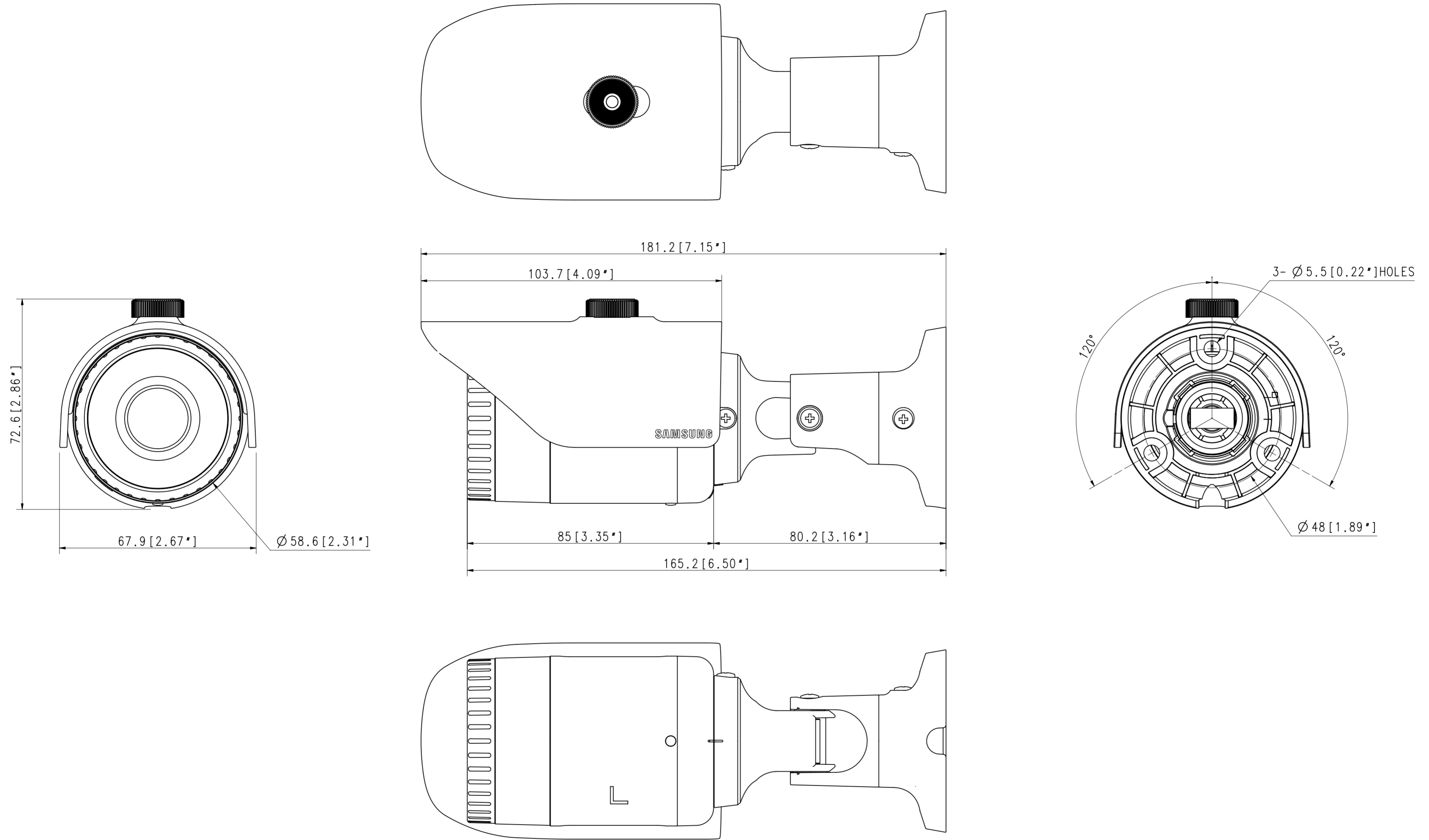


NO	PART NAME	CODE NO.	MATERIAL	Q'TY	REMARK
1	APPEARANCE SCO-6023R	-	MATERIAL	1	REMARK



STANDARD TOLERANCE

DIV	lvl 1	lvl 2	lvl 3	lvl 4	lvl 5
0-16	±0.05	±0.1	±0.1	±0.2	±0.3
16-63	±0.05	±0.1	±0.2	±0.3	±0.4
63-250	±0.1	±0.2	±0.3	±0.4	±0.4
250-1000	±0.2	±0.3	±0.4	±0.5	±0.6

CHANGE

UNIT	mm	DESIGN	CHECK	APPROVAL	PART NAME	APPEARANCE SCO-6023R	
	SCALE	1/1	Mu Yi	-	-	MODEL NAME	SCO-6023R
			16.01.08	-	-	CODE NO.	-